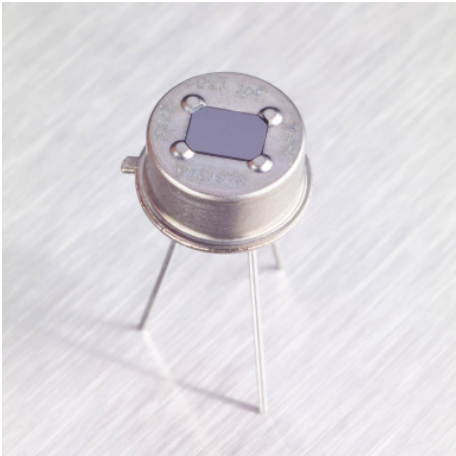


DigiPyro® PYD 1978

Dual Element Pyrodetector by PerkinElmer



The DigiPyro® PYD 1978, with its 3 x 4 mm² window size, provides you with a low-cost digital solution to motion detection.

Introduction

The DigiPyro® line is the first family of digital pyroelectric infrared detectors, brought to you from PerkinElmer.

It combines the time-proven, ceramic dual element configuration with a fully integrated A/D converter. An internal clock and control unit enable the digital output pyrodetectors to open a dialog with any outside microprocessor without additional components. The DigiPyro line offers the benefits of a standard three-pin TO-5 housing.

The move from analog to digital technology enables the DigiPyro to deliver a number of advantages including space savings from fewer components and significantly improved EMI immunity.

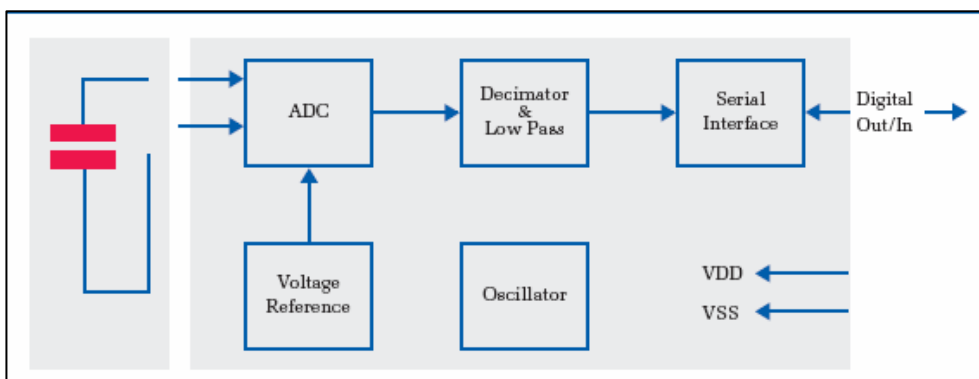
The DigiPyro family continues the high quality standard tradition that customers have come to rely upon with PerkinElmer's analog pyrodetectors. With the introduction of the DigiPyro family, PerkinElmer is making a fundamental step-change in motion detection.

Features and Benefits

- Digital Output Sensor
 - 15 Bit Output "direct link"
 - 3 Pin TO-5 Housing
- Dual Element Design
 - 2 x 1 mm² Elements
 - 1 mm Spacing
- Infrared Window
 - 5.5...14 μm Transmission
- Window Size 3 x 4 mm²
- High level electrical performance
 - Low EMI Sensitivity
 - Unique Responsivity

Applications

- Intrusion Alarm Applications
- Motion Activated Light Switches
- Door Openers



1 Technical Data

Parameter	Symbol	Min	Typ	Max	Unit	Remarks
Responsivity		3.3	4.0		kV/W	
Noise			20	50	μV_{pp}	
Operating Voltage	V_{DD}	3.0	5.0	5.5	V	
Supply Current	I_{DD}		30	40	μA	$V_{\text{DD}} = 5\text{ V}$
Field of View			135		Degree	From center of detector
Operating Temperature	T_o	-40		85	$^{\circ}\text{C}$	Electrical parameters may vary from specified values acc.to their temperature dependence.
ADC Resolution			14		Bits	Max Count = 2^{14}
ADC Sensitivity		6.1	6.5	7	$\mu\text{V}/\text{count}$	
ADC Offset		6200	8250	11000	Bit	
Input Low Voltage	V_{IL}			$0.2 V_{\text{DD}}$	V	
Input High Voltage	V_{IH}	$0.8 V_{\text{DD}}$			V	
Pull Up / Down Current		220	280	350	μA	Input to $V_{\text{SS}} / V_{\text{DD}}$
Data Setup Time	t_s	25			μs	
Match				10	%	
LPF Cut-Off Frequency			10		Hz	
Internal Clock Frequency	f_{CLK}	60	70	90	kHz	
Storage Temperature	T_s	-40		85	$^{\circ}\text{C}$	Avoid storage in humid environment.

All values are nominal; specifications subject to change without notice.

2 Physical Configuration

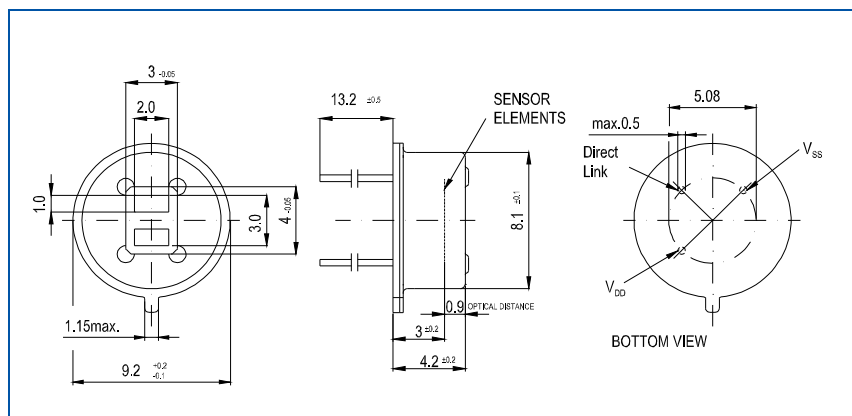


Figure 4

PIN Layout.
All measurements are in mm.

Housing: TO-5 metal housing with infrared transmissive window.

DigiPyro Application Kit

PerkinElmer Optoelectronics has designed an Application Kit that helps customers perform their first measurements with the DigiPyro. It is easy to use and does not require specialized technical know how. Please contact us to receive additional information on how to obtain the Application Kit.

DigiPyro Family

PerkinElmer Optoelectronics offers a range of DigiPyro Dual Element models (PYD 1998, PYD 1988, PYD 1978) as well as a Quad Element, Triple Channel model (PYQ 2898) to meet your specific motion detection needs. Please consult with your PerkinElmer sales representative for the digital motion detection solution that best meets your design requirements.

North America Customer Support Hub

PerkinElmer Optoelectronics
23001 Dumberry Road
Vaudreuil-Dorion, Québec
Canada J7V 8P7
Telephone: +1 450-424-3300, (+1) 866-574-6786 (toll-free)
Fax: +1 450-424-3345
Email: opto@perkinelmer.com
www.optoelectronics.perkinelmer.com

European Headquarters

PerkinElmer Optoelectronics
Wenzel-Jaksch-Str. 31
65199 Wiesbaden, Germany
Telephone: (+49) 611-492-247
Fax: (+49) 611-492-170
Email: opto.Europe@perkinelmer.com

Asia Headquarters

PerkinElmer Optoelectronics
47 Ayer Rajah Crescent #06-12
Singapore 139947
Telephone: (+65) 6775-2022
Fax: (+65) 6775-1008
Email: opto.Asia@perkinelmer.com

For a complete listing of our global offices, visit www.optoelectronics.perkinelmer.com

©2007 PerkinElmer, Inc. All rights reserved. The PerkinElmer logo and design are registered trademarks of PerkinElmer, Inc. DigiPyro® is a trademark of PerkinElmer, Inc. or its subsidiaries, in the United States and other countries. All other trademarks not owned by PerkinElmer, Inc. or its subsidiaries that are depicted herein are the property of their respective owners. PerkinElmer reserves the right to change this document at any time without notice and disclaims liability for editorial, pictorial or typographical errors.
600212_02 DTS0907